



reddot award 2016  
winner



### Higher Revenue

Max. efficiency 98.6%



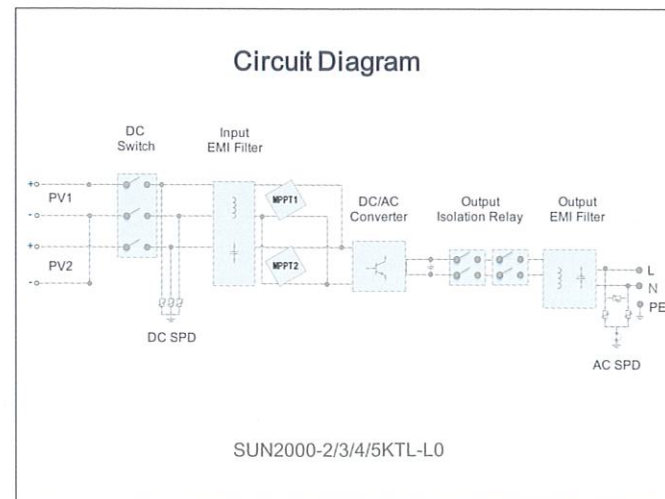
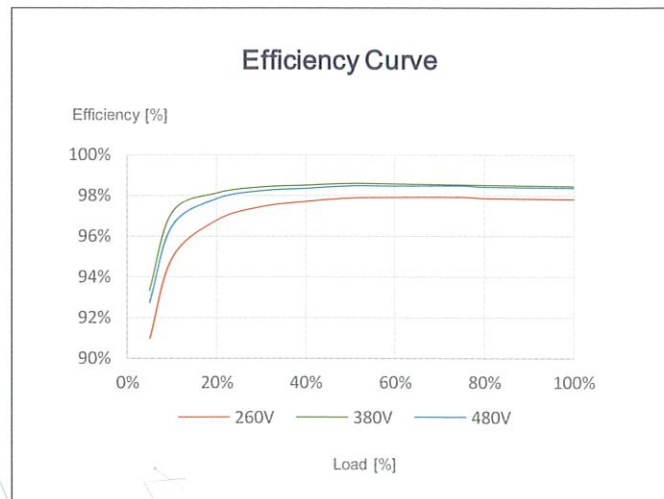
### Simple & Easy

Support WLAN or 4G/3G/2G



### Safe & Reliable

DC & AC lightning protection



Technical Specification	SUN2000-2KTL-L0	SUN2000-3KTL-L0	SUN2000-4KTL-L0	SUN2000-5KTL-L0
-------------------------	-----------------	-----------------	-----------------	-----------------

Efficiency				
Max. efficiency	98.4 %	98.5 %	98.6 %	98.6 %
European weighted efficiency	97.0 %	97.6 %	97.9 %	98.0 %

Input				
Max. input voltage	600 V			
Operating voltage range <sup>1</sup>	90 V~ 600 V			
Start-up voltage	120 V			
Full power MPPT voltage range	120 V ~ 480 V	160 V ~ 480 V	210 V ~ 480 V	260 V ~ 480 V
Rated input voltage	380 V			
Max. input current per MPPT	11 A			
Max. short-circuit current	15 A			
Number of MPP trackers	2			
Max. number of inputs per MPPT	1			

Output				
Grid connection	Single phase			
Rated output power	2,000 W	3,000 W	4,000 W	5,000 W
Max. apparent power	2,200 VA	3,300 VA	4,400 VA	5,500 VA
Rated output voltage	220 V / 230 V / 240 V			
Rated AC grid frequency	50 Hz / 60 Hz			
Max. output current	10 A	15 A	20 A	25 A
Adjustable power factor	0.8 leading ... 0.8 lagging			
Max. total harmonic distortion	≤ 3 %			

Protection	
Anti-islanding protection	Yes
DC reverse polarity protection	Yes
Insulation monitoring	Yes
DC lightning protection	Yes
AC lightning protection	Yes
Residual current monitoring	Yes
AC overcurrent protection	Yes
AC short-circuit protection	Yes
AC overvoltage protection	Yes
Over-heat protection	Yes

General Data	
Operating temperature range	-30 ~ +60 °C
Relative operating humidity	0 %RH ~ 100 %RH
Operating altitude	0 - 4,000 m
Cooling	Natural convection
Display	LED indicators
Communication	RS485, WLAN / 4G <sup>2</sup>
Weight (incl. mounting bracket)	10.6 kg (23.4 lb)
Dimension (incl. mounting bracket)	375 * 375 * 161.5 mm (14.8 * 14.8 * 6.4 inch)
Degree of protection	IP65

Standard Compliance (more available upon request)	
Safety	EN/IEC 62109-1, EN/IEC 62109-2
Grid connection standards	IEC 61727, NB/T 32004-2013, VDE-AR-N-4105, VDE 0126-1-1, BDEW, G83/2, G59/3, UTE C 15-712-1, CEI 0-16, CEI 0-21, C10/11, EN 50438-Ireland, EN 50438-Turkey, AS 4777, NRS 097-2-1

<sup>1</sup> Only support real PV input  
<sup>2</sup> Communication automatically switches to 3G / 2G when 4G signal is not available.  
 The text and figures reflect the current technical state at the time of printing. Subject to technical changes. Errors and omissions excepted. Huawei assumes no liability for mistakes or printing errors. For more information, please visit solar.huawei.com. Version No.:01-(20190126)