

Smart

8 strings intelligent monitoring



Efficient

Max. efficiency 98.6%



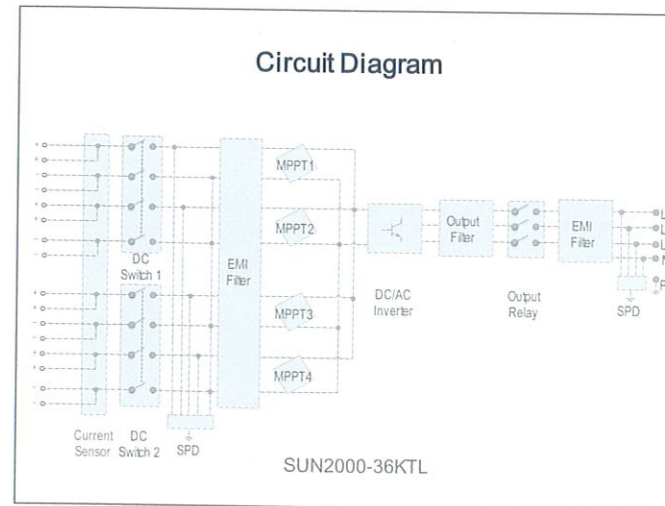
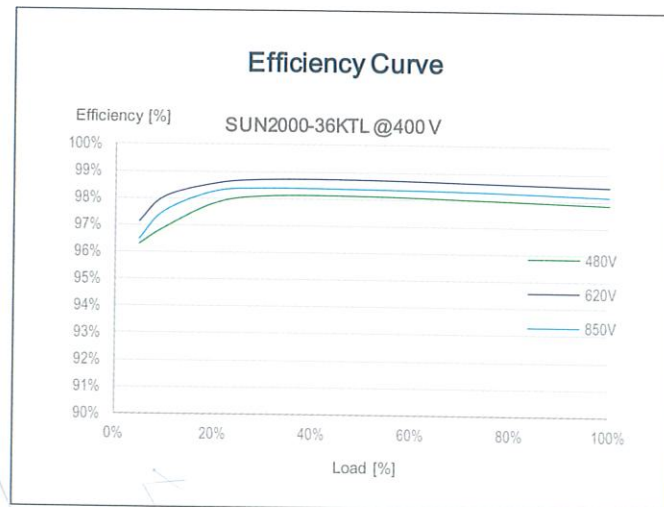
Safe

Fuse free design



Reliable

Type II surge arresters for DC & AC



Technical Specification	SUN2000-36KTL
-------------------------	---------------

Efficiency	
Max. Efficiency	98.8% @480 V, 98.6% @380 V / 400 V
European Efficiency	98.6% @480 V, 98.4% @380 V / 400 V

Input	
Max. Input Voltage	1,100 V
Max. Current per MPPT	22 A
Max. Short Circuit Current per MPPT	30 A
Start Voltage	250 V
MPPT Operating Voltage Range	200 V ~ 1,000 V
Rated Input Voltage	620 V @380 V / 400 V, 720 V @480 V
Number of Inputs	8
Number of MPP Trackers	4

Output	
Rated AC Active Power	36,000 W
Max. AC Apparent Power	40,000 VA
Max. AC Active Power (cosφ=1)	40,000 W
Rated Output Voltage	220 V / 230 V, default 3W + N + PE; 380 V / 400 V / 480 V, 3W + PE
Rated AC Grid Frequency	50 Hz / 60 Hz
Rated Output Current	54.6 A @380 V, 52.2 A @400 V, 43.4 A @480 V
Max. Output Current	60.8 A @380 V, 57.8 A @400 V, 48.2 A @480 V
Adjustable Power Factor Range	0.8 LG ... 0.8 LD
Max. Total Harmonic Distortion	<3%

Protection	
Input-side Disconnection Device	Yes
Anti-islanding Protection	Yes
AC Overcurrent Protection	Yes
DC Reverse-polarity Protection	Yes
PV-array String Fault Monitoring	Yes
DC Surge Arrester	Type II
AC Surge Arrester	Type II
DC Insulation Resistance Detection	Yes
Residual Current Monitoring Unit	Yes
Arc Fault Protection	Yes (Optional)

Communication	
Display	LED Indicators, APP
RS485	Yes
USB	Yes
Monitoring BUS (MBUS)	Yes

General Data	
Dimensions (W x H x D)	930 x 550 x 283 mm (36.6 x 21.7 x 11.1 inch)
Weight (with mounting plate)	62 kg (136.7 lb.)
Operating Temperature Range	-25°C ~ 60°C (-13°F ~ 140°F)
Cooling Method	Natural Convection
Max. Operating Altitude	4,000 m (13,123 ft.)
Relative Humidity	0 ~ 100%
DC Connector	Amphenol Helios H4
AC Connector	Cable Gland + OT Terminal
Protection Degree	IP65
Topology	Transformerless

Standard Compliance (more available upon request)	
Safety	EN 62109-1/-2, IEC 62109-1/-2
Grid Connection Standards	IEC 61727, IEC 62116, EN 50530, IEC 60068, IEC 61683, AS/NZS 4777.2, G59/3, PEA, MEA, Philippine Resolution No.7, VDE 0126-1-1